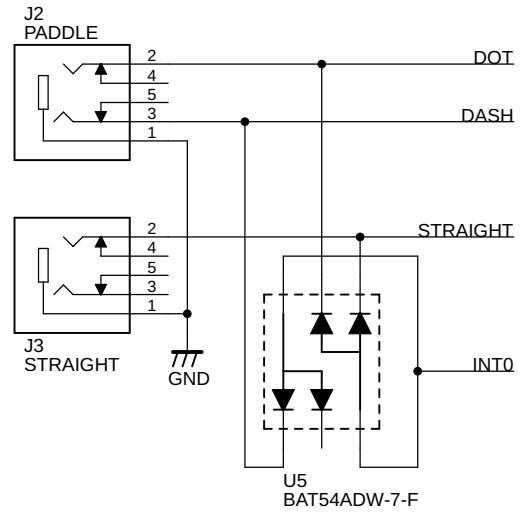
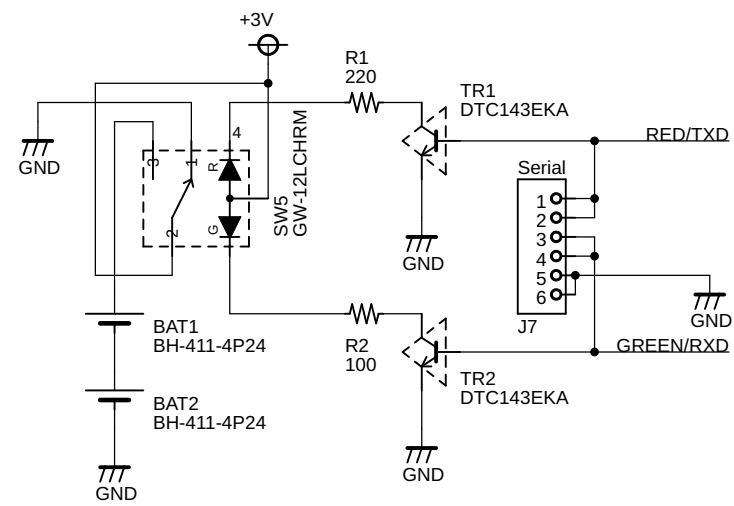


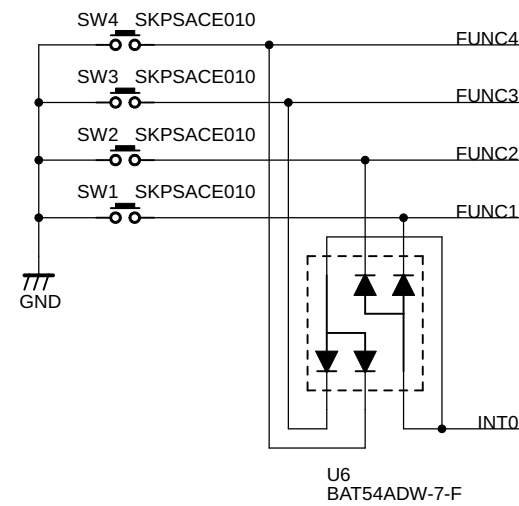
Key In



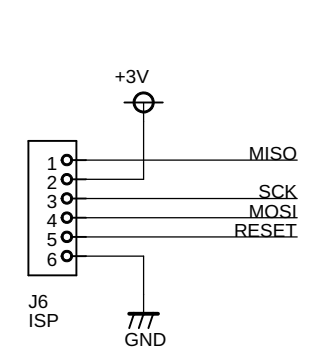
Battery / LED



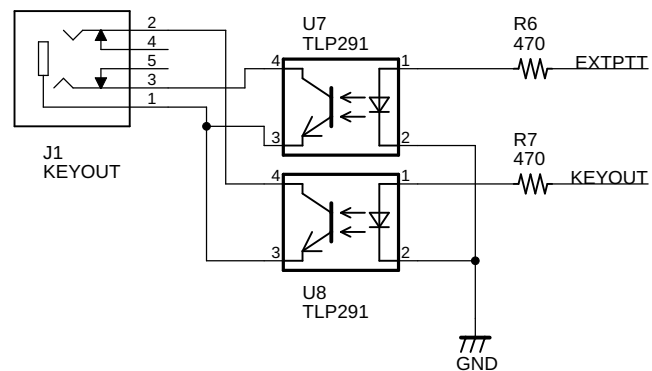
FUNC Switch



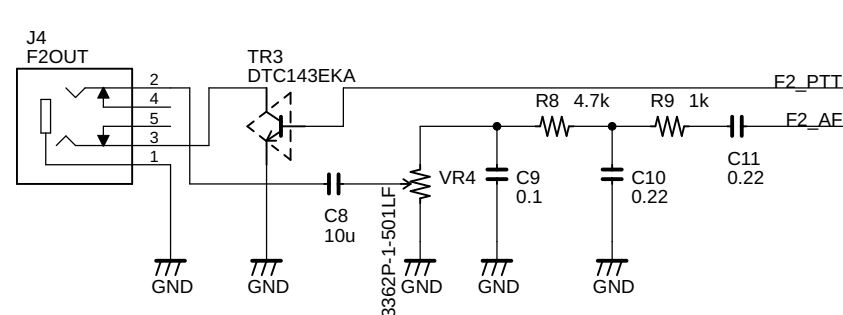
ISP



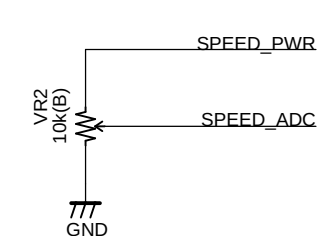
Key Out



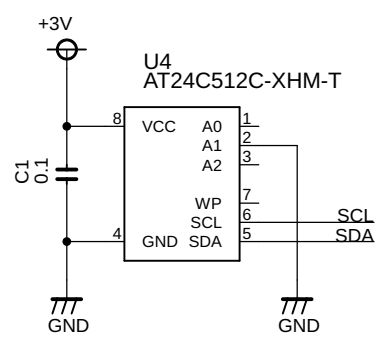
F2 Out



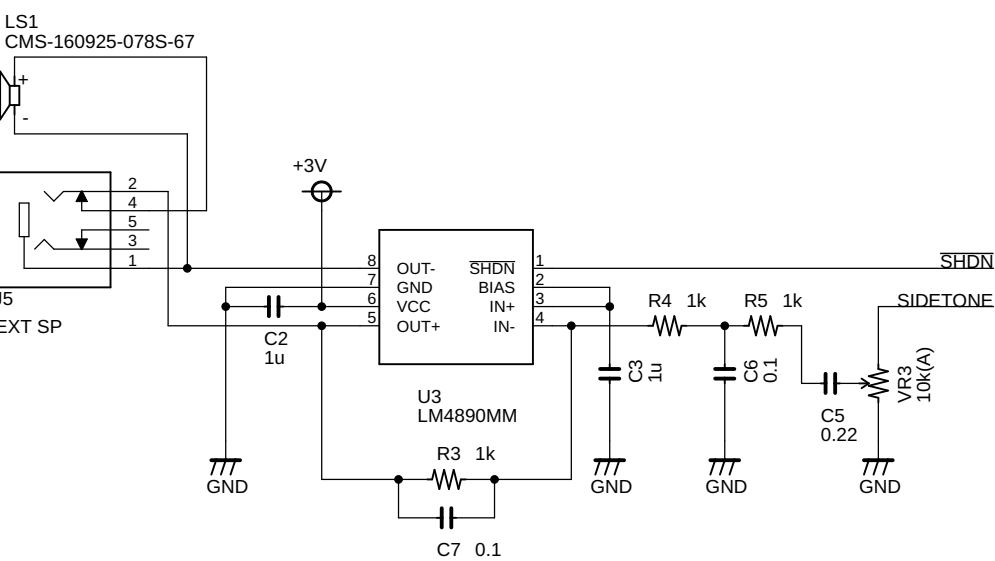
Speed



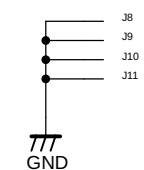
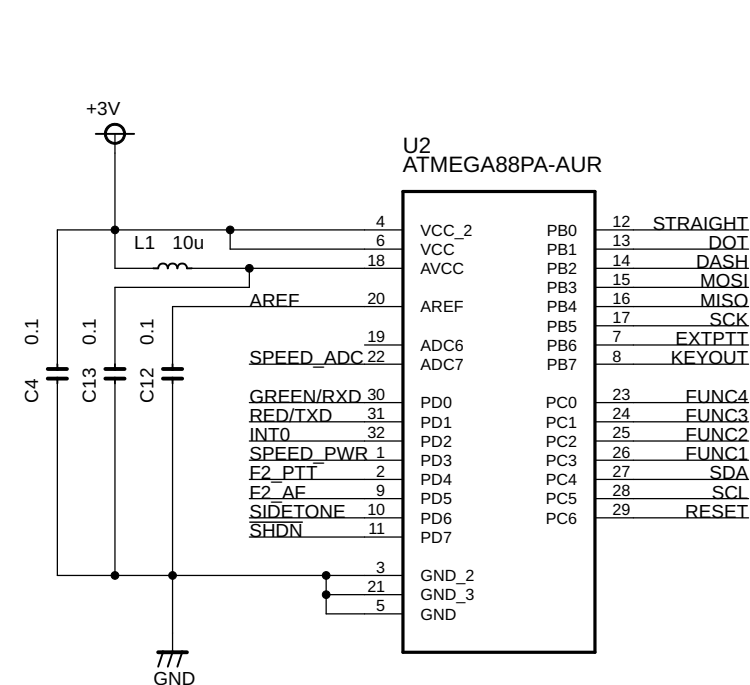
EEPROM



AF Amp



Atmega88



TITLE: KEYER_XR2 v42	
Document Number:	REV:
Date: 2024/08/13 18:23	Sheet: 1/1